



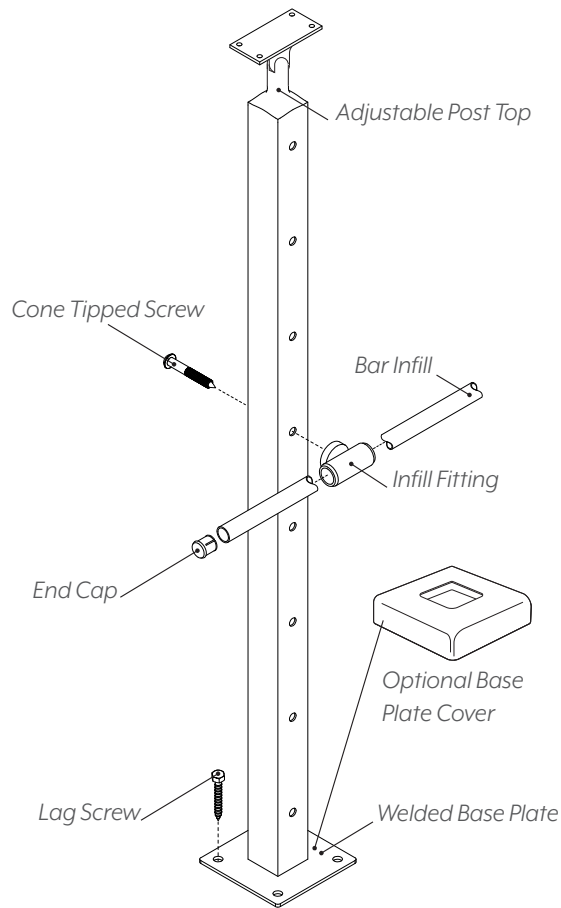
CASCADIA RAILING SYSTEM



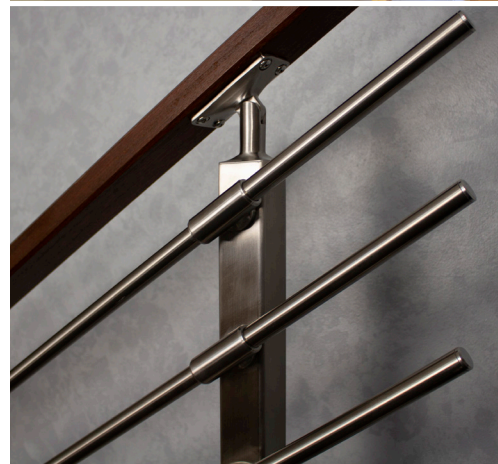
An off-the-shelf, ready-to-install stainless steel railing kit

CASCADIA RAILING SYSTEM

AGS Stainless is proud to introduce an innovative new railing concept that eliminates the need for custom design work. Cascadia Railing System beautifully combines the high standards of quality that AGS is known for with the convenience of off-the-shelf inventory. Adjustable tops and infill fittings allow for sloped or stair installation. Posts are available in 36" or 42".



- ICC-ES certified for 36" or 42" residential applications (ESR 4148)
- Universal posts are designed for level (surface) or stair application
- Post layout flexibility, visit AGSstainless.com/c-inst to see installation instructions and for more information
- Customize your railing with your own top rail (top rail not included)



888-842-9492
AGSstainless.com